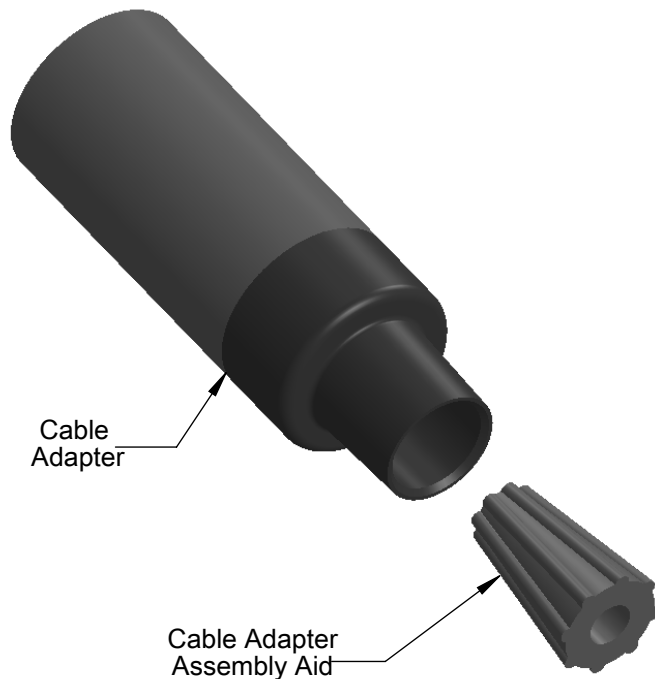
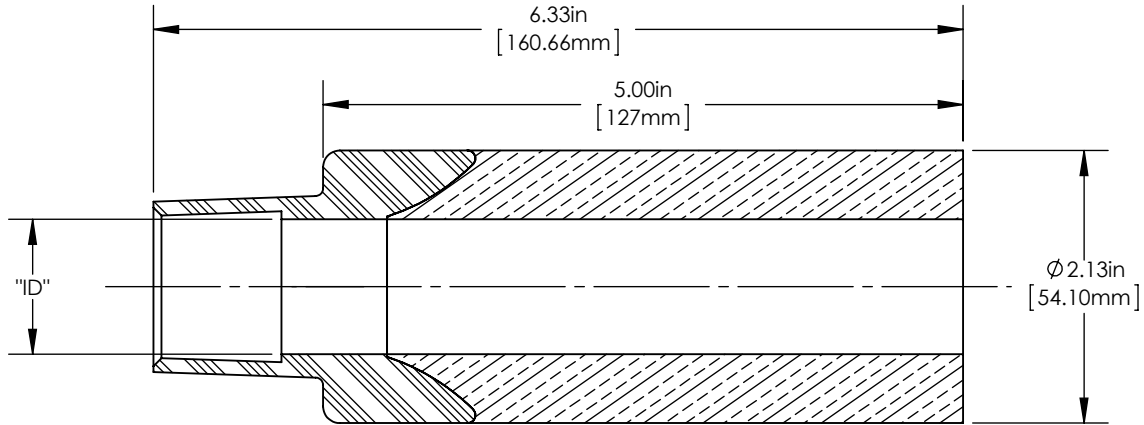


Product Specifications

15/25 kV Cable Adapter



Size	Cable Range	
	in.	mm.
E	0.530 - 0.675	12.57 - 17.15
F	0.640 - 0.820	16.26 - 20.83
G	0.760 - 0.950	19.30 - 24.13
H	0.850 - 1.050	21.59 - 26.67
J	0.980 - 1.180	24.86 - 29.92
K	1.090 - 1.310	27.69 - 33.27
L	1.180 - 1.465	29.97 - 37.21
LM	1.280 - 1.430	32.51 - 36.32
M	1.370 - 1.630	34.80 - 41.40
MN	1.480 - 1.700	37.59 - 43.18
N	1.515 - 1.780	38.48 - 45.21
PA	1.665 - 1.785	42.29 - 45.34
P	1.725 - 1.935	43.82 - 49.15
PQ	1.795 - 1.935	45.59 - 49.15

Richards 15/25 kV Cable Adapters (P625CA) all come with a correctly sized assembly aid to ease installation.