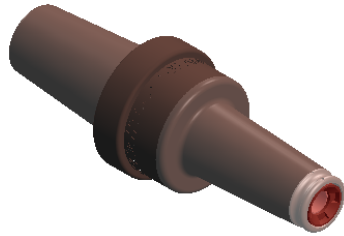
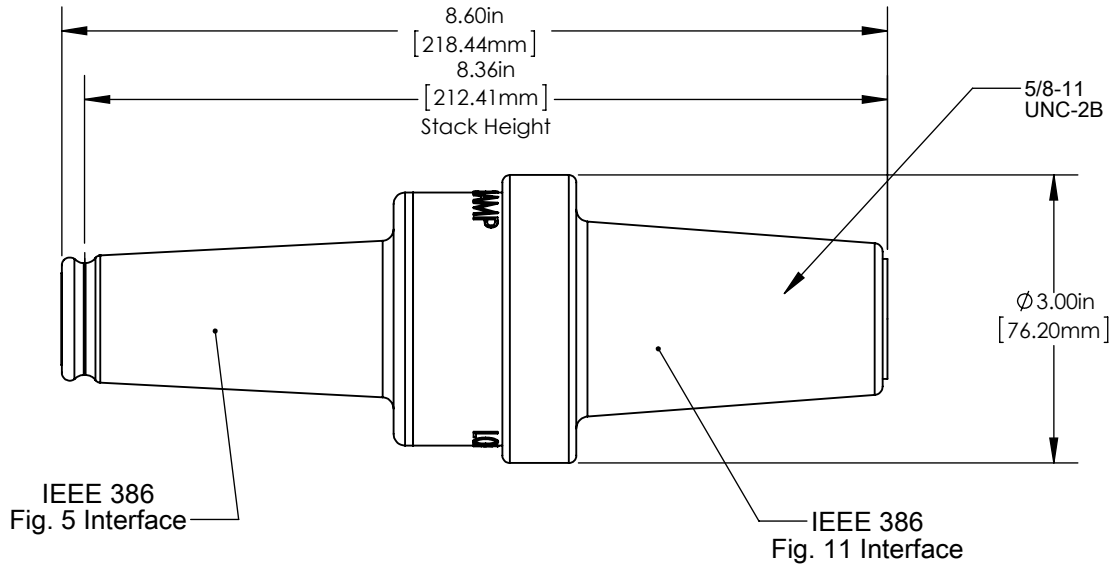


# Product Specifications

## 15kV Loadbreak Elbow Tap Plug



Richards 15kV Loadbreak Elbow Tap Plug (P615ETP) converts a 15/25kV 600A Deadbreak interface (IEE 386 Fig 11) to a 15kV 200 A Loadbreak interface (IEEE 386 Fig 5) for use with a Loadbreak elbow or cap.

The Elbow Tap Plug features an internal 3/8" hex broach for assembly according to the manufacturer's instructions.

### Product Ratings

Maximum Voltage Rating (kV rms)	8.3kV L-G 14.4kV L-L
Impulse Withstand	95kV BIL
AC Withstand	34kV
DC Withstand	53kV
Partial Discharge	11kV CEV
Momentary	3.5kA, 3 sec 10kA, 10 Cycles
Continuous Current	200A

Richards 15kV Loadbreak Elbow Tap Plug (61ETP) was designed and validated against the following industry standards:

- ANSI/IEEE Std. 386: For Separable Insulated Connector Systems
- ANSI C119.4: For Electric Connectors
- IEEE Std. 592: For Exposed Semiconducting Shields