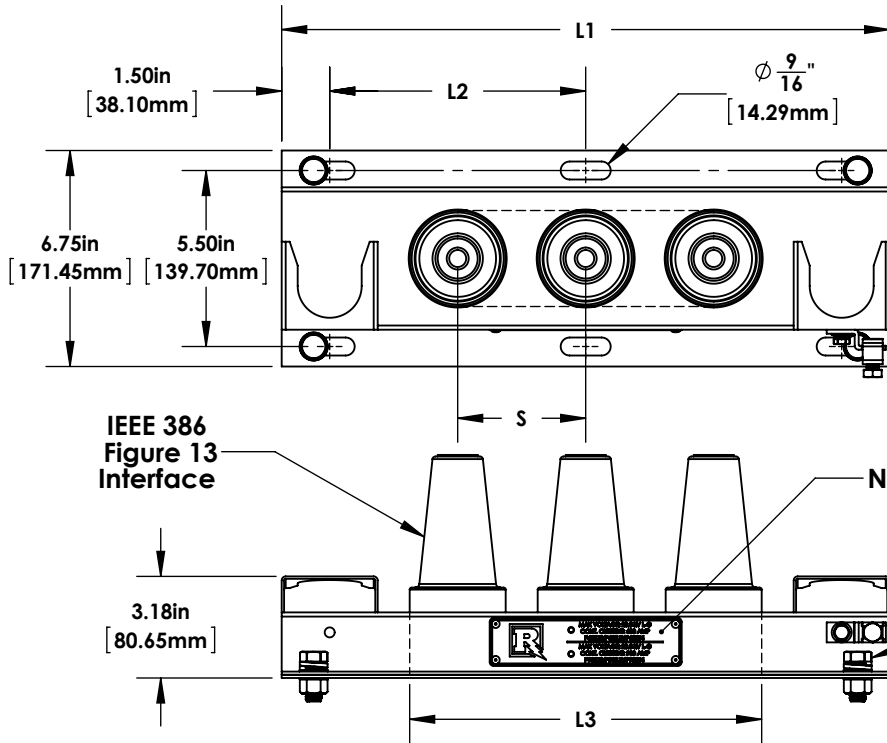
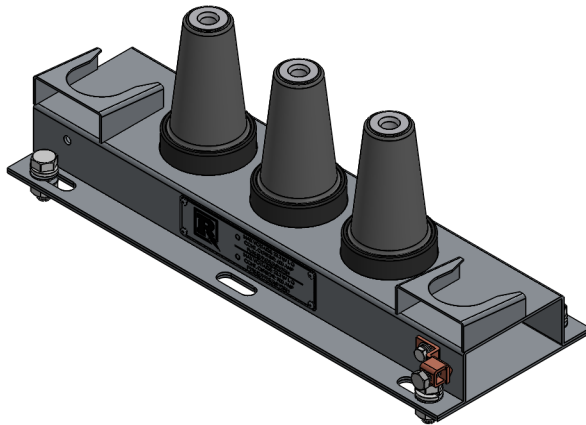


Product Specifications

35kV Deadbreak Junction with Mounting Bracket



# of Positions	Spacing (S)	L1	L2	L3
2	4"	15"	6"	7"
	6"	21"	9"	9"
3	4"	19"	8"	11"
	6"	27"	12"	15"
4	4"	23"	10"	15"
	6"	33"	15"	21"



Product Ratings

Maximum Voltage Rating (kV rms)	21.1kV L-G 36.6kV L-L
Impulse Withstand	150kV BIL
AC Withstand	50kV
DC Withstand	103kV
Partial Discharge	26kV CEV
Momentary	25kA, 10 Cycles (Al) 40kA, 10 Cycles (Cu) 10kA, 3 Sec (Al/Cu)
Continuous Current	600 Amp (Al) 900 Amp (Cu)

The 35kV Deadbreak Junction is a pre-molded Medium Voltage Cable Accessory that provides IEEE386 Deadbreak Bushing interfaces connected to a common contact. This allows cables to be adjoined at convenient junction locations for isolation, expansion, grounding and more.

The Junctions are available in 2-position, 3-position or 4-position configurations. They can be ordered with 600A (Aluminum) or 900A (Copper) current ratings, and with either U-Straps or Brackets for mounting.

Richards 35kV Deadbreak Junction with Mounting Bracket (P635JD) was designed and validated against the following industry standards:

- ANSI/IEEE Std. 386: For Separable Insulated Connector Systems
- ANSI C119.4: For Electric Connectors
- IEEE Std. 592: For Exposed Semiconducting Shields