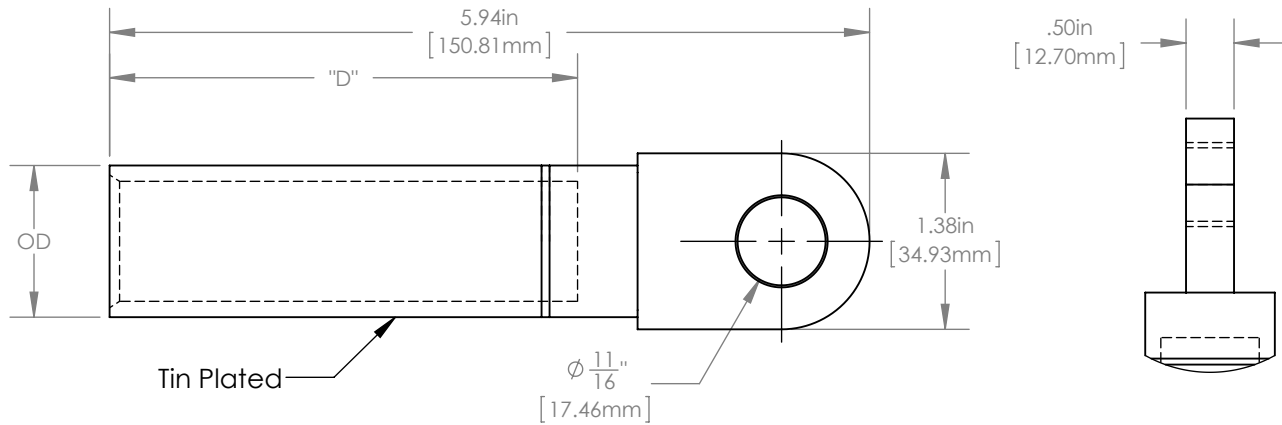


Product Specifications

900 Amp Deadbreak Compression Lug

For use with Copper Conductors ONLY



Size	Outer Diameter (in.)	"D" (in.)	Cable Size	
			Compact	Stranded Compressed
07	0.625	3.656	#1	#2
08	0.625	3.656	1/0	#1
09	0.625	3.656	2/0	1/0
10	0.625	3.656	3/0	2/0
11	0.703	3.656	4/0	3/0
12	0.750	3.656	250	4/0
13	0.813	3.656	300	250
14	0.859	3.656	350	300
15	0.906	3.656	400	350
16	1.040	3.656	450	400
17	1.040	3.656	500/550	450
18	1.095	3.656	600	500
20	1.188	3.656	700	600
21	1.314	3.656	750/800	650
22	1.350	3.656	----	700
23	1.350	3.656	900	750
26	1.549	3.656	1000	900
28	1.549	3.656	----	1000
29	1.705	3.656	----	1250