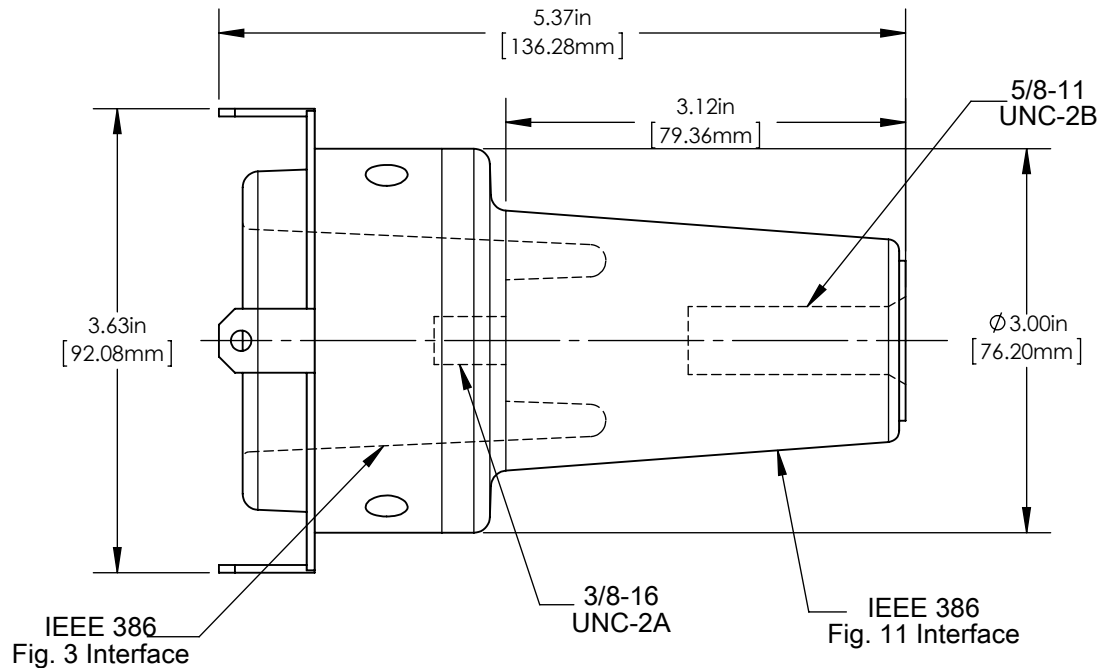


Product Specifications

15/25 kV 200A Reducing Tap Well



Richards 15/25 kV Reducing Tap Well (P625RTW) converts a 600A interface (IEEE 386, Fig. 11) to a 200A well interface (IEEE 386, Fig. 3).

The reducing tap well can accept either loadbreak or deadbreak inserts for connection to 200A devices. The P625RTW should be assembled with a spanner wrench (P6SW) per manufacturer's instructions.

Add -LS to include loose stud (P625RTW-LS)
Add -S to include factory installed stud (P625RTW-S)

Product Ratings

Operating Voltage	16.2 kV L-G 28 kV L-L
Impulse Withstand	140 kV BIL
AC Withstand	45 kV
DC Withstand	84 kV
Partial Discharge	22 kV CEV

Richards 15 kV 200A Reducing Tap Well (P625RTW) was designed and validated against the following industry standards:

- ANSI/IEEE Std. 386: For Separable Insulated Connector Systems
- ANSI C119.4: For Electric Connectors
- IEEE Std. 592: For Exposed Semiconducting Shields