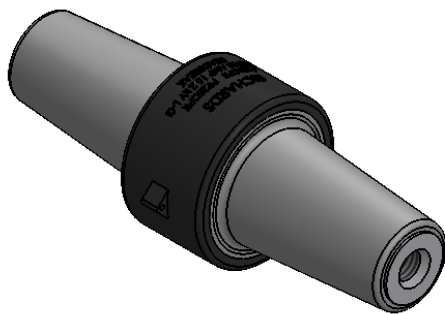
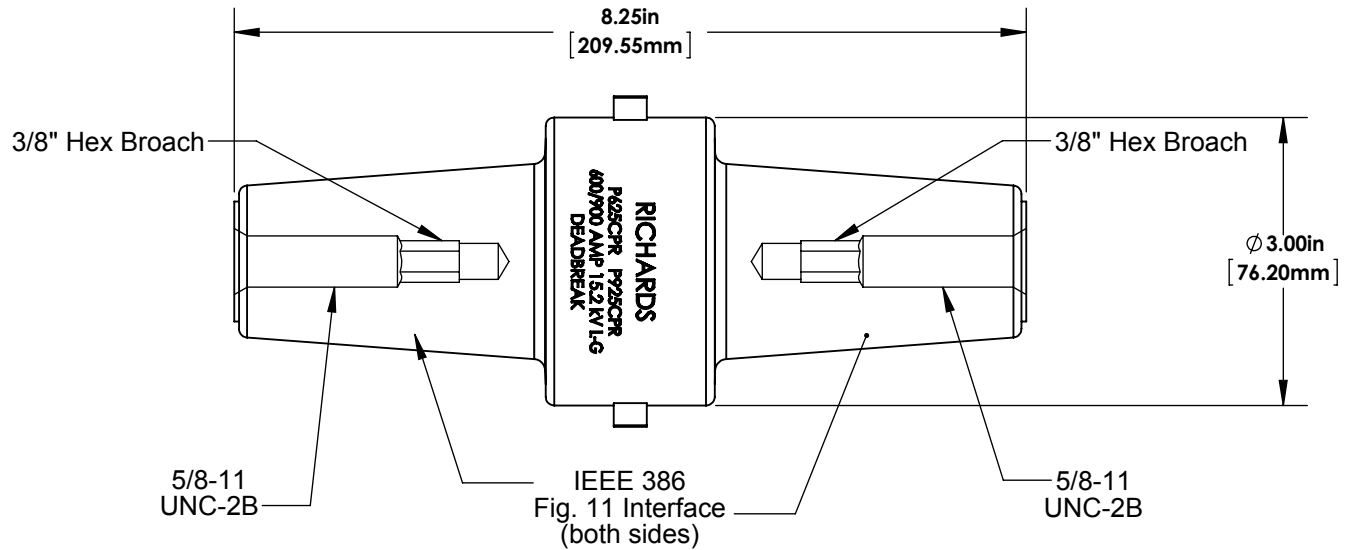


Product Specifications

25kV Deadbreak Connecting Plug (Rubber)



Richards 25 kV 600A Deadbreak Connecting Plug-Rubber (P625CPR) connects two or more 25 kV Deadbreak Elbows as a separable cable joint or directly to an apparatus bushing. This product is available in aluminum and copper.

The connecting plug is fully shielded and features a standard 5/8"-11 bolted connection per IEEE Std. 386 Fig. 11 with an internal 3/8" hex broach.

Add -LS to include loose stud (P625CPR-LS)
Add -S to include factory installed stud (P625CPR-S)

Product Ratings

Operating Voltage	16.2kV L-G 28kV L-L
Impulse Withstand	140kV BIL
AC Withstand	45kV
DC Withstand	84kV
Partial Discharge	22kV CEV
Momentary	25kA, 10 cycles
Continuous Current	600 Amp (Al), 900 Amp (Cu)

Richards 25kV Deadbreak Connecting Plug (Rubber) (P625CPR/P925CPR) was designed and validated against the following industry standards:

- ANSI/IEEE Std. 386: For Separable Insulated Connector Systems
- ANSI C119.4: For Electric Connectors
- IEEE Std. 592: For Exposed Semiconducting Shields