

# 35kV Deadbreak Insulating Cap

Product Data Sheet

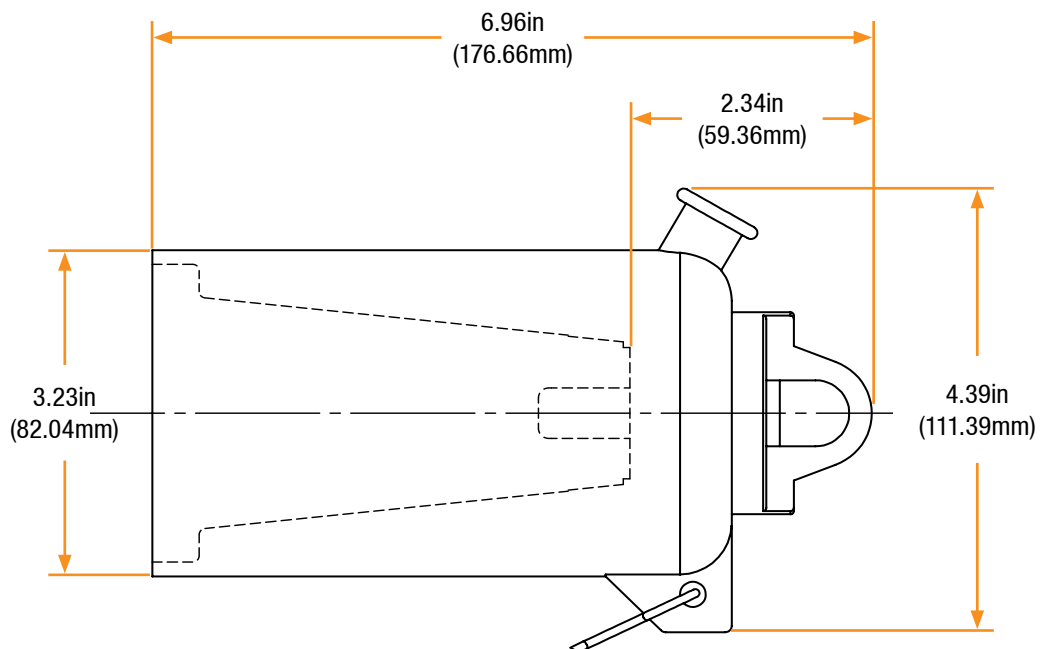
The Richards 35kV Deadbreak Insulating Cap provides a means to insulate 600 or 900A 35kV Deadbreak interfaces (IEEE 386, Interface 13). The Deadbreak Insulating Cap is molded with an integral threaded stud. The Deadbreak Insulating Cap is supplied with a 36" #12 AWG tinned copper ground wire.



## Features

- 100% EPDM Composition
- Injection Molded & Peroxide-Cured
- Made in the USA
- Fully-Shielded/Deadfront
- Submersible

## Basic Dimensions



# 35kV Deadbreak Insulating Cap

## Installation

Installation of a Deadbreak Insulating Cap P635IC/P935IC is covered by: **RP-II-IC**

## Related Products

### P635HIP-STUD

35kV Aluminum Threaded Stud

### P935HIP-STUD

35kV Copper Threaded Stud

### P635HIP

35kV 600A Deadbreak Insulating Plug

### P935HIP

35kV 900A Deadbreak Insulating Plug

### P635CP

35kV 600A Deadbreak Connecting Plug

### P935CP

35kV 900A Deadbreak Connecting Plug

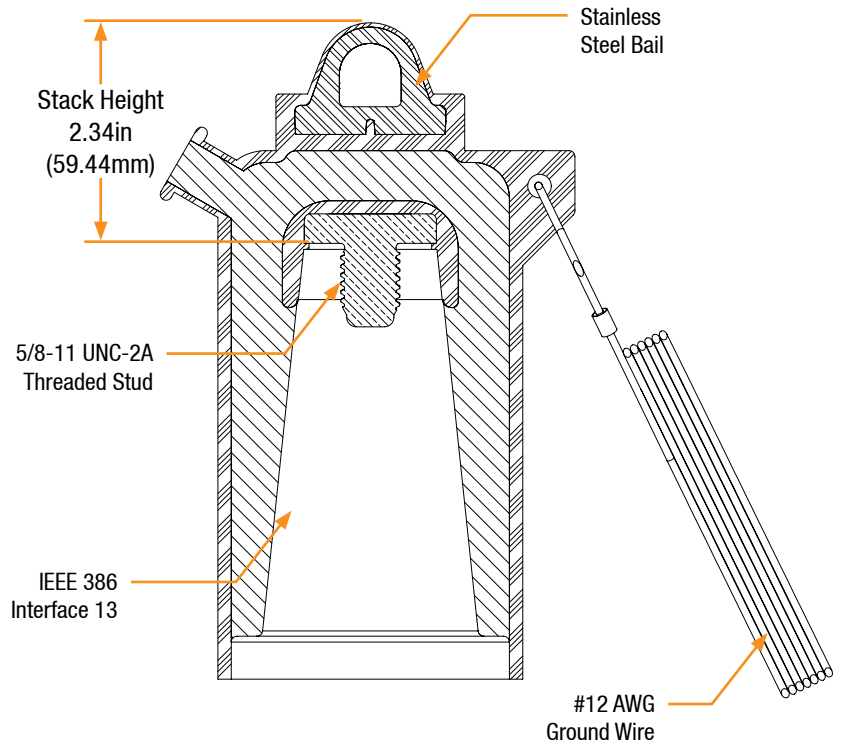
### P635AB

35kV 600A Deadbreak Apparatus Bushings

### P935AB

35kV 900A Deadbreak Apparatus Bushings

## Detail View



## Production Testing

IEEE requires a Partial Discharge test and choice between AC withstand and Impulse.

Richards runs 3/3 tests on **all** Medium Voltage products governed by IEEE 386. <sup>®</sup>

### 100% Routine Electrical Test:

- Partial Discharge
- AC Withstand
- Impulse Withstand

## Product Ratings

Voltage Class, Phase-to-Phase	35kV
Maximum Voltage Rating – (phase to ground)	21.1kV
Corona Voltage Level – (partial discharge extinction voltage)	26kV
AC Withstand, 1 minute	50kV
Impulse-Withstand Voltage – (BIL)	162kV BIL <sup>®</sup>

Continuous Current	
Aluminum	600A
Copper	900A

Short-Time Current	
Aluminum	10kA, 3sec. & 40kA, 10c
Copper	

The 35kV Deadbreak Insulating Cap is qualified to the following industry standards:

- IEEE Std 386: For Separable Insulated Connector Systems
- ANSI C119.4: For Electric Connectors
- IEEE Std 592: For Exposed Semiconducting Shields

<sup>®</sup> Exceeds IEEE 386 requirement