

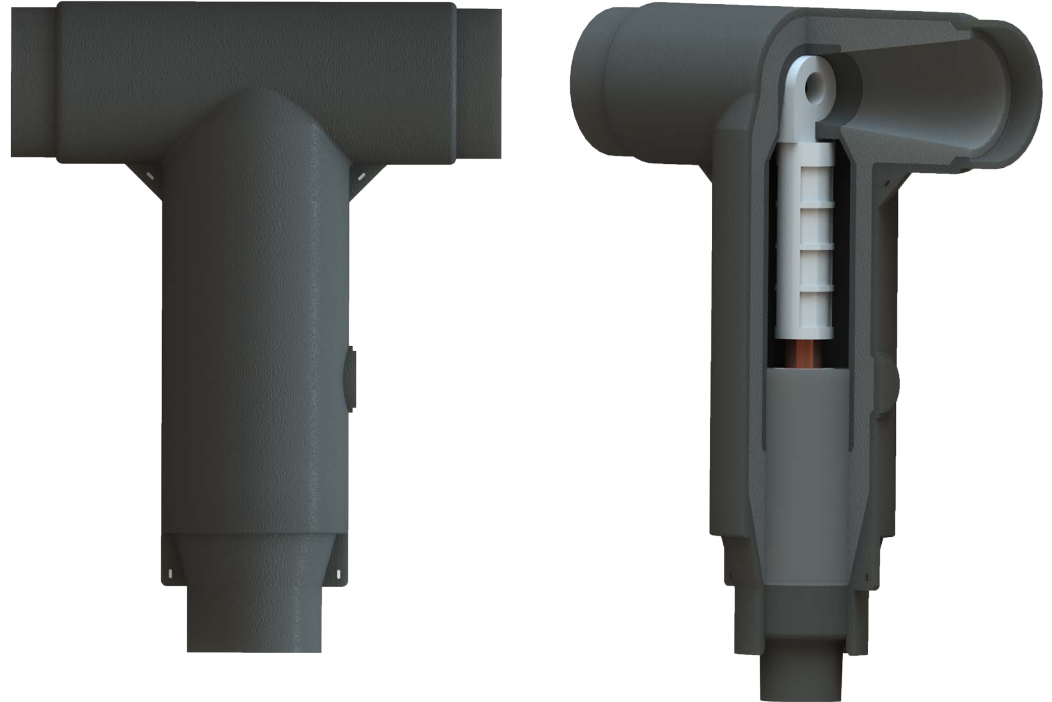
35kV Deadbreak Elbow

Product Data Sheet

The Richards 35kV Deadbreak Elbow is a medium voltage cable accessory used to terminate/splice 35kV cables and equipment.

Our Elbow is molded in the USA from EPDM compounds produced in-house by our polymer production division. The Deadbreak "T-body" is fully-shielded, submersible and available with or without a capacitive test point.

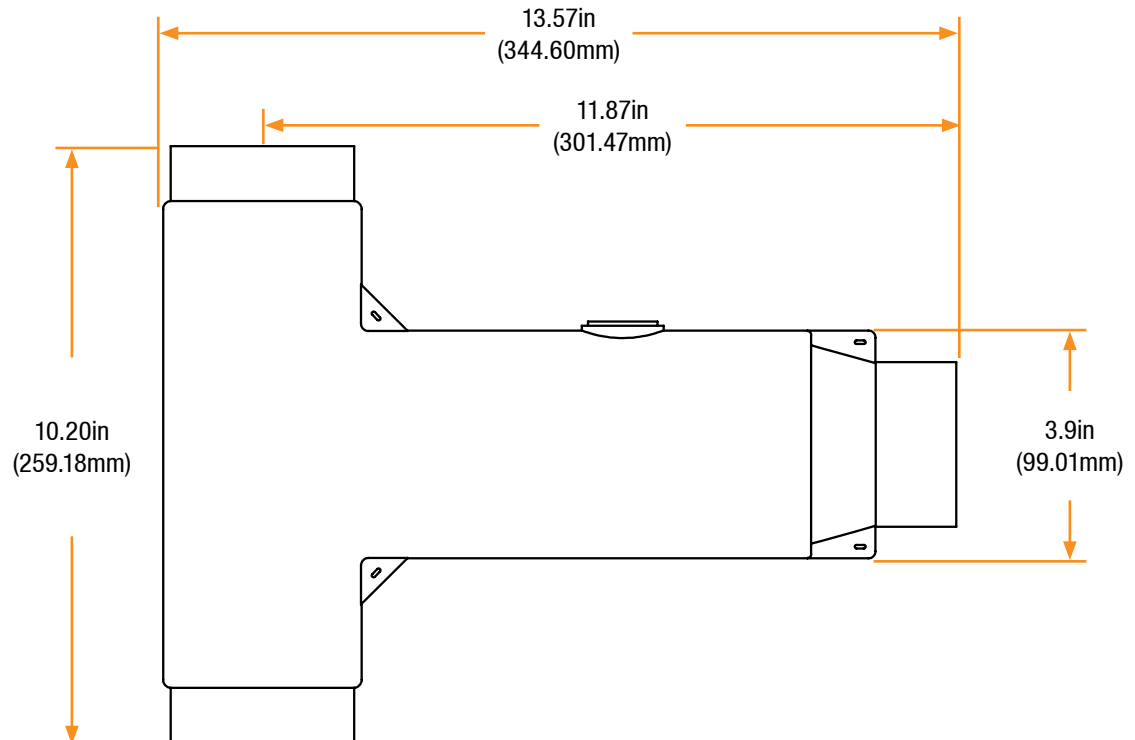
A variety of accessories are available for insulating, testing, grounding and paralleling circuits. The current-rating of the Deadbreak Elbow housing is determined by the metallic components utilized to make the connection. If all-copper components are used, the Deadbreak Elbow assembly has a 900A rating. Otherwise, the assembly is rated for 600A.



Features

- 100% EPDM Composition
- Injection Molded & Peroxide-Cured
- Made in the USA
- Fully-Shielded/Deadfront
- Submersible
- Optional Capacitive Test Point

Basic Dimensions



35kV Deadbreak Elbow

Installation

Deadbreak Elbow 63LCN/LCT installation is covered by:
RP-II-63LCN

Related Products

P635HIP-STUD

Aluminum Threaded Stud

P935HIP-STUD

Copper Threaded Stud

P6AL-X

Aluminum Compression Connector

P9CU-X

Copper Compression Connector

P7ALCU-X

Copper-Top Compression Connector

P635CA-W

Cable Adapter

P635HIP

Aluminum Insulating Plug

P935HIP

Copper Insulating Plug

Production Testing

IEEE requires a Partial Discharge test and choice between AC withstand and Impulse.

Richards runs 3/3 tests on ALL Medium Voltage products governed by IEEE 386. [®]

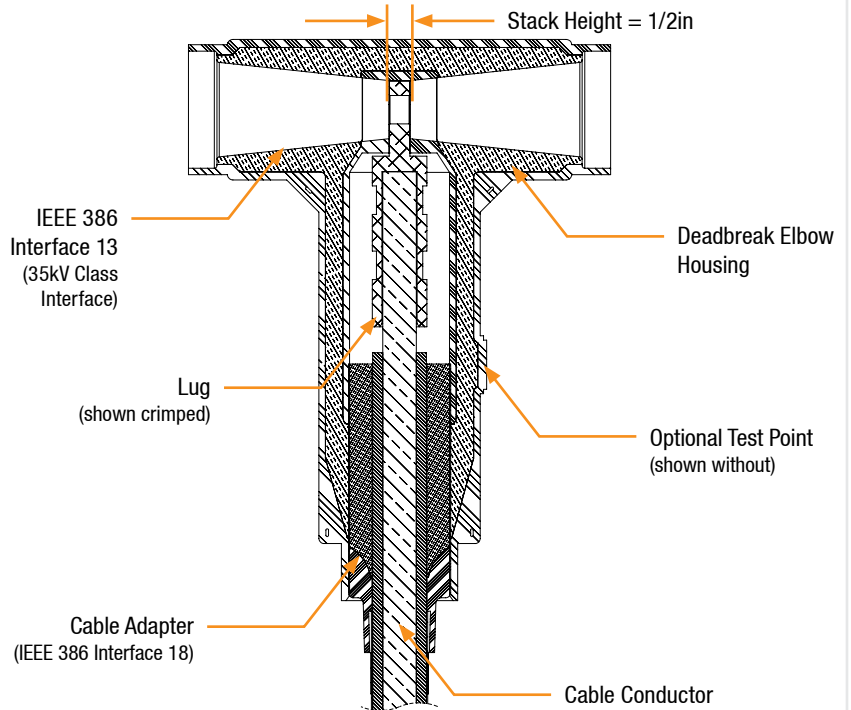
100% Routine Electrical Test:

- Partial Discharge
- AC Withstand
- Impulse Withstand

Richards Deadbreak Elbows are designed to allow for production testing at 200kV BIL. For more information see our 200kV BIL Product Data Sheets or contact the factory.

[®] Exceeds IEEE 386 requirement.

Detail View



Product Ratings

Voltage Class, Phase-to-Phase	35kV
Maximum Voltage Rating – (phase to ground)	21.1kV
Corona Voltage Level – (partial discharge extinction voltage)	26kV
AC Withstand, 1 minute	50kV
Impulse-Withstand Voltage – (BIL)	162kV BIL [®]

Continuous Current	
Aluminum	600A
Copper	900A

Short-Time Current	
Aluminum	10kA, 3sec. & 40kA, 10c
Copper	

The 35kV Deadbreak Elbow is qualified to the following industry standards:

- IEEE Std 386: For Separable Insulated Connector Systems
- ANSI C119.4: For Electric Connectors
- IEEE Std 592: For Exposed Semiconducting Shields