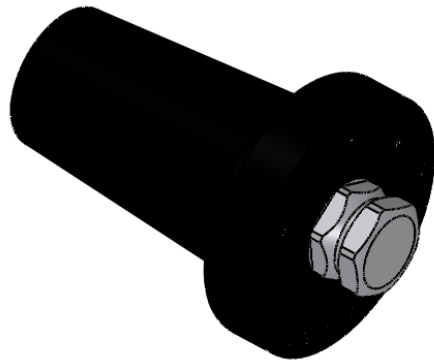
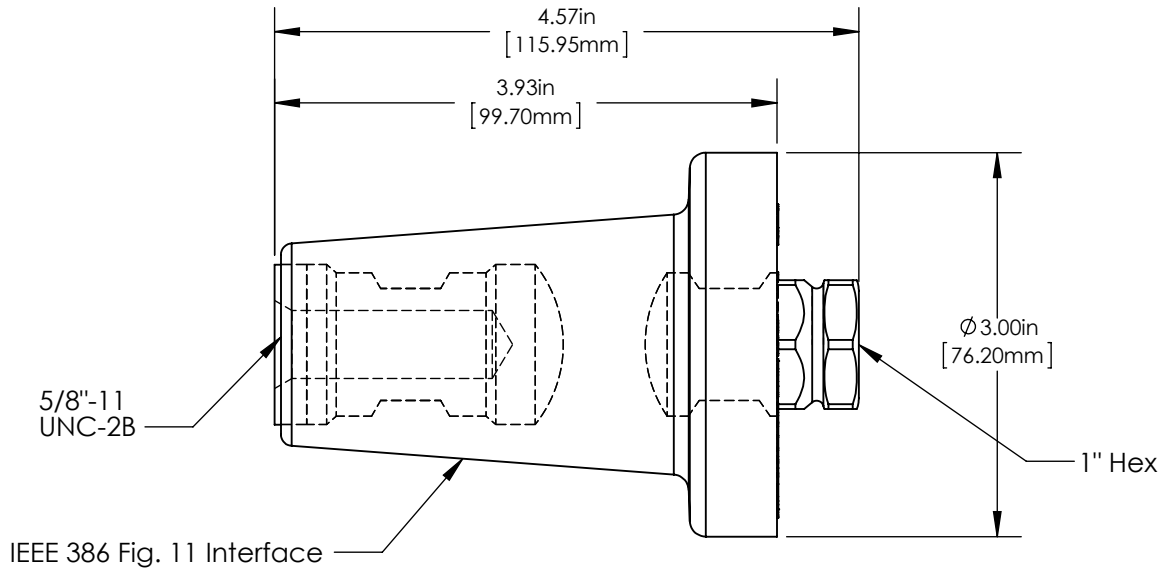


Product Specifications

15/25/28 kV 600A Deadbreak Insulating Plug



Product Ratings

Operating Voltage	16.2 kV 28 kV L-L
Impulse Withstand	162 kV
AC Withstand	45 kV
DC Withstand	84 kV
Partial Discharge	22 kV CEV
Momentary	N/A
Continuous Current	N/A

Richards 15/25/28 kV 600A Deadbreak Insulating Plug (P625HIP) provides a means for shielding, sealing, and insulating 600A deadbreak interfaces (IEEE 386 Fig. 11).

Add -LS to include loose stud (P625HIP-LS)
Add -S to include factory installed stud (P625HIP-S)

Richards 15/25/28 kV 600A Deadbreak Insulating Plug (P625HIP) was designed and validated against the following industry standards:

- ANSI/IEEE Std. 386: For Separable Insulated Connector Systems