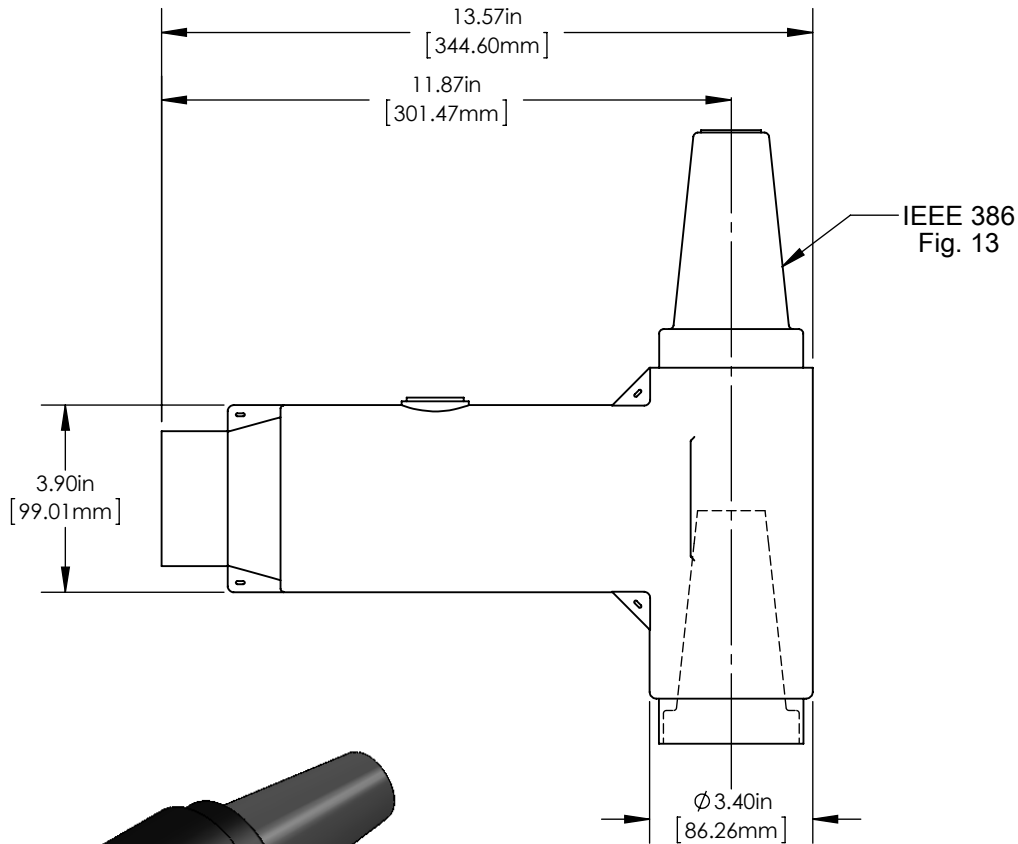


Product Specifications

35 kV 600A R-Stack Elbow



Richards 35 kV 600A R-Stack Elbow (63CBN) is an elbow with a connecting plug molded directly into the elbow body. This design offers a more reliable, easier-to-install option at a competitive cost.

Its smaller stack height (four inches for every two elbows) is invaluable in smaller cabinets and manholes.

Product Ratings

Operating Voltage	21.1 kV
Impulse Withstand	150 kV BIL
AC Withstand	50 kV
DC Withstand	103 kV
Partial Discharge	26 kV CEV
Momentary	10 kA, 3 sec. 25 kA, 10 cycles
Continuous Current	600 Amp

Richards 35 kV 600A R-Stack Elbow (63CBN) was designed and validated against the following industry standards:

- ANSI/IEEE Std. 386: For Separable Insulated Connector Systems
- ANSI C119.4: For Electric Connectors
- IEEE Std. 592: For Exposed Semiconducting Shields