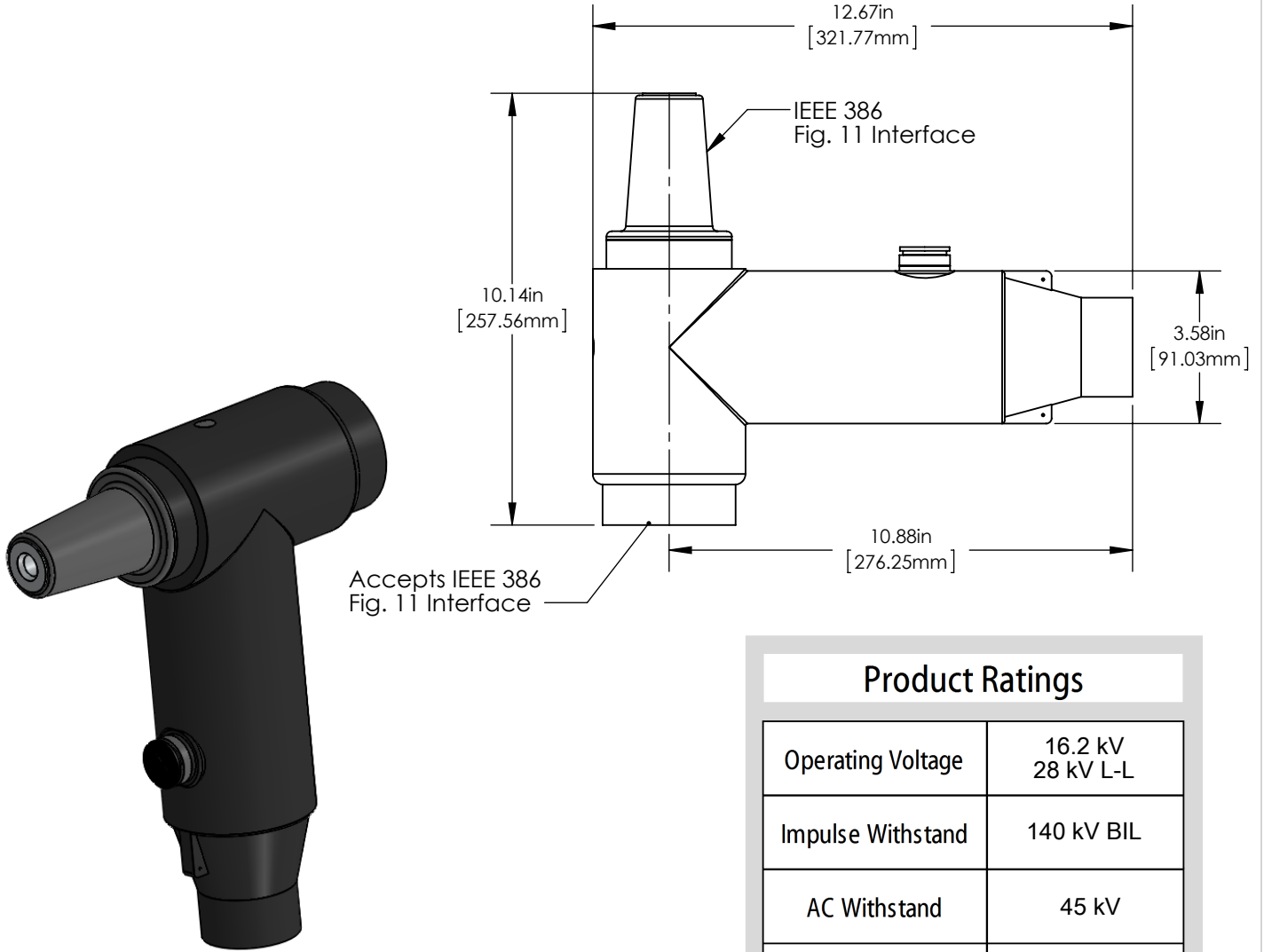


Product Specifications

15/25/28 kV R-Stack Male



Product Ratings

Operating Voltage	16.2 kV 28 kV L-L
Impulse Withstand	140 kV BIL
AC Withstand	45 kV
DC Withstand	84 kV
Partial Discharge	22 kV CEV
Momentary	25 kA, 10 Cycles
Continuous Current	600 A

Richards 15/25/28 kV R-Stack (62CBT) is a 600A elbow with a 600A connecting plug molded in the body. This combination design reduces the amount of components, time, and effort required for installation.

The R-Stack male version is fully shielded and features a male fastener for assembly.

Richards 15/25/28 kV R-Stack (62CBT) was designed and validated against the following industry standards:

- ANSI/IEEE Std. 386: For Separable Insulated Connector Systems
- ANSI C119.4: For Electric Connectors
- IEEE Std. 592: For Exposed Semiconducting Shields