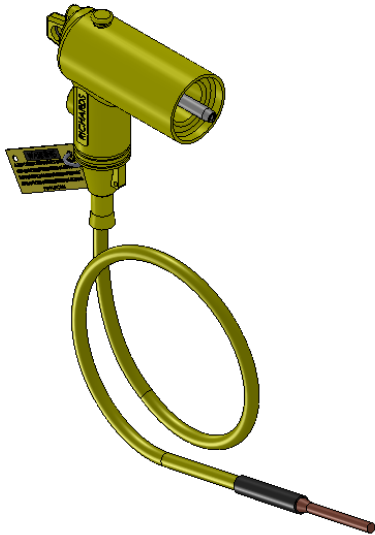
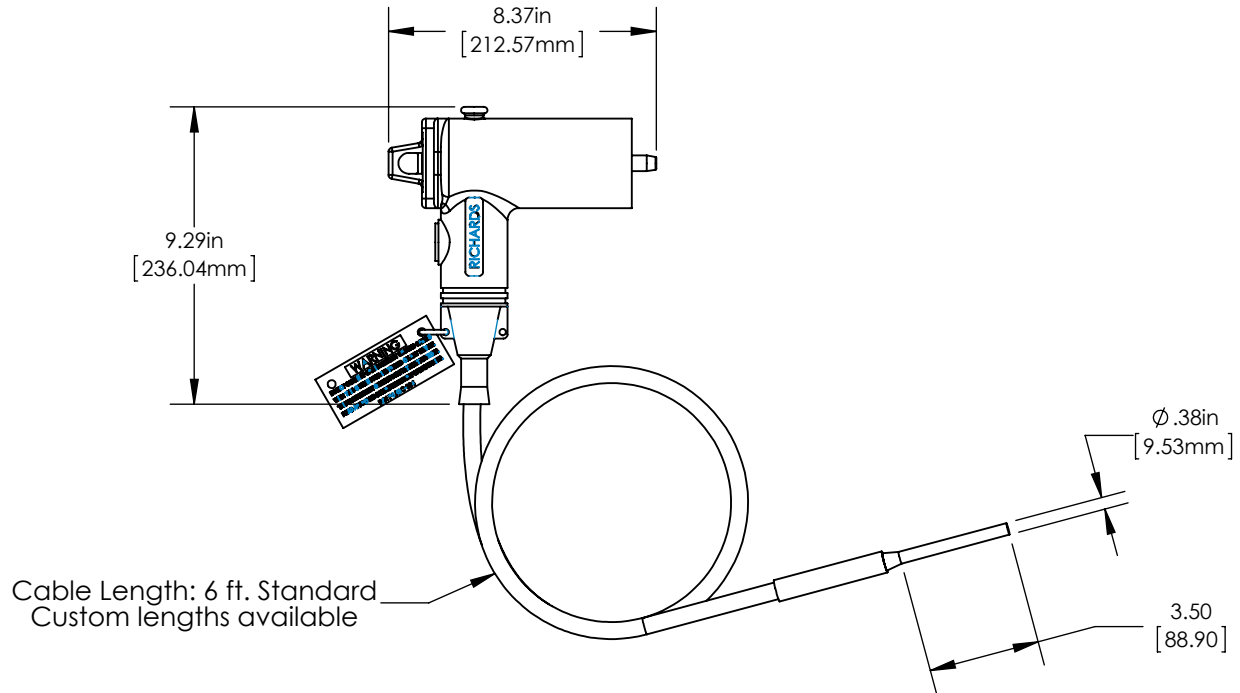


Product Specifications

15kV Class Loadbreak Grounding Elbow



Product Ratings

Short Time Current	10 kA, .17 Sec 3.5 kA, 3 Sec
--------------------	---------------------------------

Richards 200A Loadbreak Connectors provide an easy way to connect or disconnect energized power cables from equipment at 15 kV.

The 21LGN is fully shielded and can be used to ground any 15kV Loadbreak interface. The Grounding Elbow comes complete with a 1/0 AWG 6' grounding cable and pin terminal.