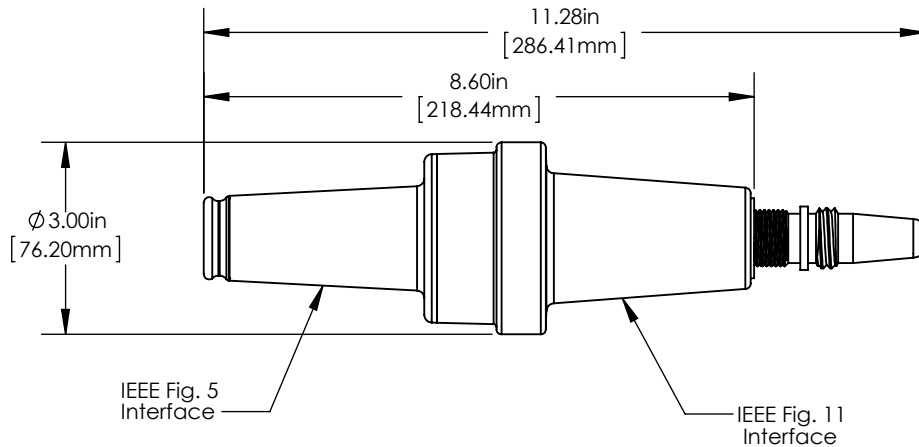


# Product Specifications

## 15kV Loadbreak Reducing Tap Plug



### Product Ratings

Operating Voltage	8.3kV 14.4kV
Impulse Withstand	95kV BIL
AC Withstand	34kV
DC Withstand	53kV
Partial Discharge	11kV CEV

Richards 15kV Loadbreak Reducing Tap Plug (P615LRTP) converts a 15/25kV 600A deadbreak interface (IEEE 386 Fig. 11) to a 15kV 200A loadbreak interface (IEEE 386 Fig. 5) for use with a loadbreak elbow or cap.

The LRTP has a 15/16"-9 threaded nose for installation into a similarly threaded lug. The joined elbow & plug assembly can then be safely operated with a hotstick.

Richards () was designed and validated against the following industry standards:

- ANSI/IEEE Std. 386: For Separable Insulated Connector Systems
- ANSI C119.4: For Electric Connectors
- IEEE Std. 592: For Exposed Semiconducting Shields