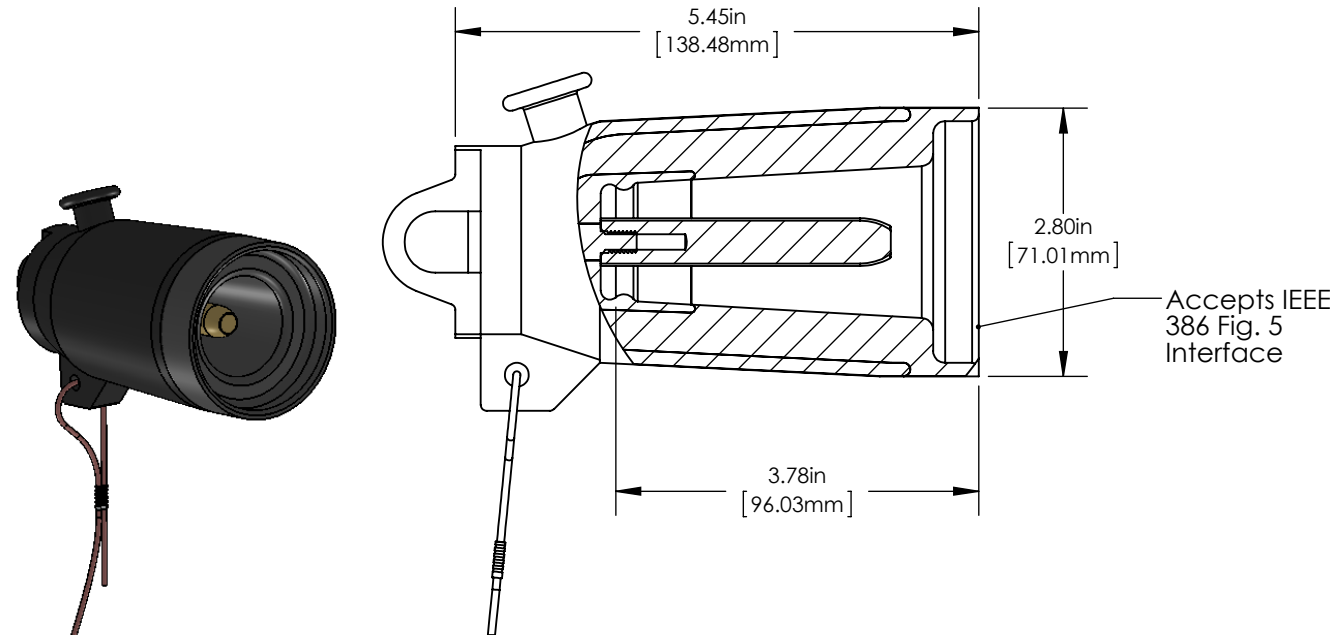


Product Specifications

15 kV 200A Loadbreak Insulating Cap



Product Ratings	
Operating Voltage	8.3 kV L-G 14.4 kV L-L
Impulse Withstand	95 kV BIL
AC Withstand	34 kV
DC Withstand	53 kV
Partial Discharge	11 kV
Momentary	10 kA, 10 cycles

Richards 15 kV 200A Insulating cap (21LBIC) provides a means for shielding, sealing and insulating 200A loadbreak interfaces (IEEE 386, Fig. 5).

The 21LBIC is supplied with ground wire attached and can be operated using standard hotstick tools and safety equipment.

Richards (21LBIC) was designed and validated against the following industry standards:

- ANSI/IEEE Std. 386: For Separable Insulated Connector Systems
- ANSI C119.4: For Electric Connectors
- IEEE Std. 592: For Exposed Semiconducting Shields