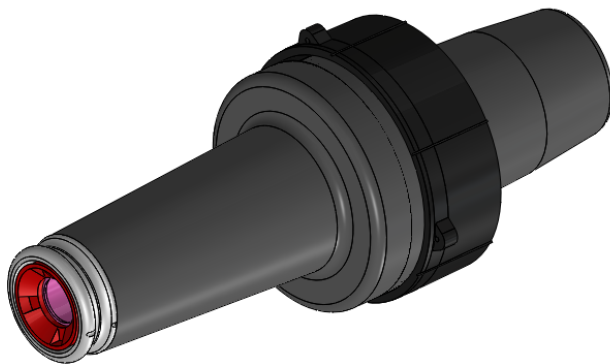
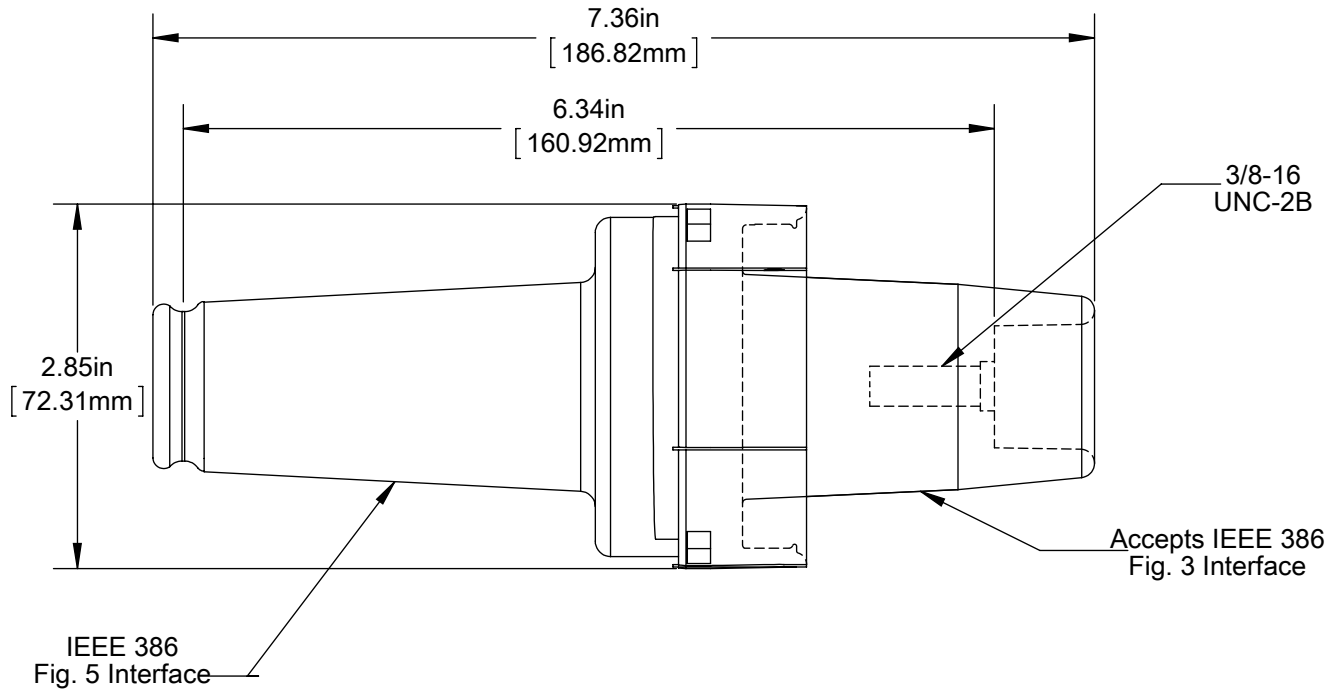


# Product Specifications

## 15 kV 200A Loadbreak Bushing Insert



Richards 15 kV 200A Loadbreak Bushing Insert (21LBI) converts a 200A bushing well interface (IEEE 386, Fig. 3) to a 200A loadbreak interface (IEEE 386, Fig. 5) for use with a loadbreak elbow or cap.

The insert includes an internal 5/16" hex broach for assembly according to manufacturer's instructions.

### Product Ratings

Operating Voltage	8.3 kV L-G 14.4 kV L-L
Impulse Withstand	95 kV BIL
AC Withstand	34 kV
DC Withstand	53 kV
Partial Discharge	11 kV CEV
Momentary	10 kA, 10 cycles
Continuous and Loadbreak Current	200 Amp

Richards 15 kV 200A Loadbreak Bushing Insert (21LBI) was designed and validated against the following industry standards:

- ANSI/IEEE Std. 386: For Separable Insulated Connector Systems