

15/25kV Deadbreak Elbow

Product Data Sheet

The Richards 15/25kV Deadbreak Elbow is a medium voltage cable accessory used to terminate/splice cables and equipment rated up to 25kV Class.

Our Elbow is molded in the USA from EPDM compounds produced in-house by our polymer production division. The Deadbreak "T-body" is fully-shielded, submersible and available with or without a capacitive test point.

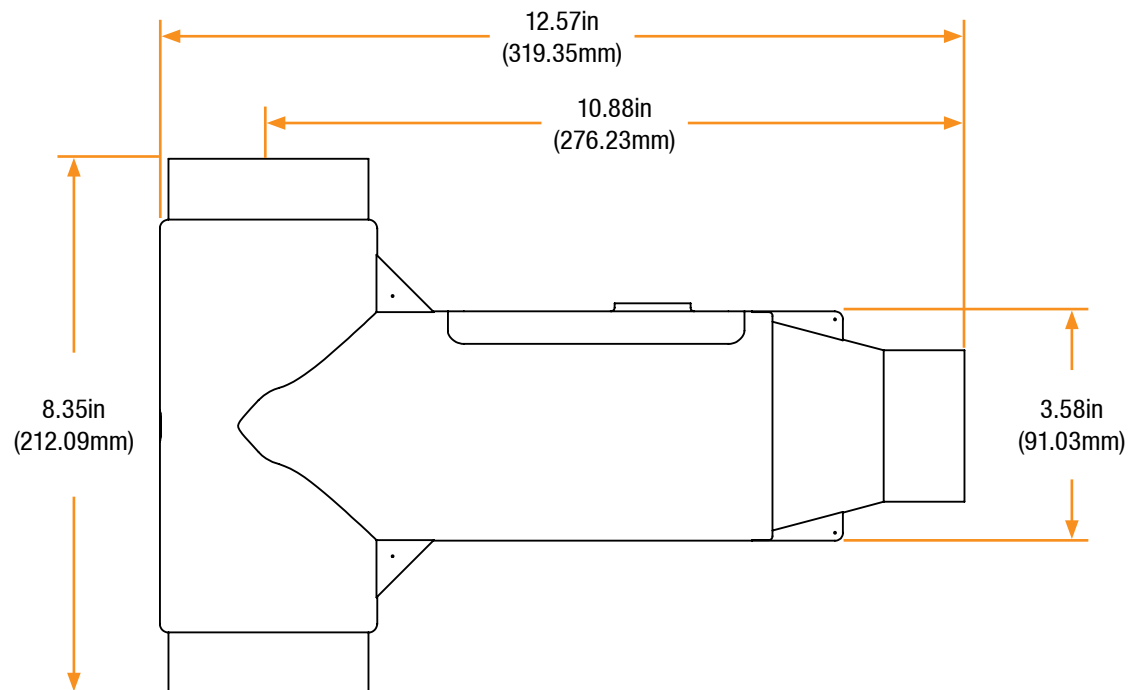
A variety of accessories are available for insulating, testing, grounding and paralleling circuits. The current-rating of the Deadbreak Elbow housing is determined by the metallic components utilized to make the connection. If all-copper components are used, the Deadbreak Elbow assembly has a 900A rating. Otherwise, the assembly is rated for 600A.



Features

- 100% EPDM Composition
- Injection Molded & Peroxide-Cured
- Made in the USA
- Fully-Shielded/Deadfront
- Submersible
- Optional Capacitive Test Point

Basic Dimensions



15/25kV Deadbreak Elbow

Installation

Deadbreak Elbow 62LCN/LCT installation is covered by:
RP-II-62LCN

Related Products

P625HIP-STUD

Aluminum Threaded Stud

P925HIP-STUD

Copper Threaded Stud

P6AL-X

Aluminum Compression Connector

P9CU-X

Copper Compression Connector

P7ALCU-X

Copper-Top Compression Connector

P625CA-W

Cable Adapter

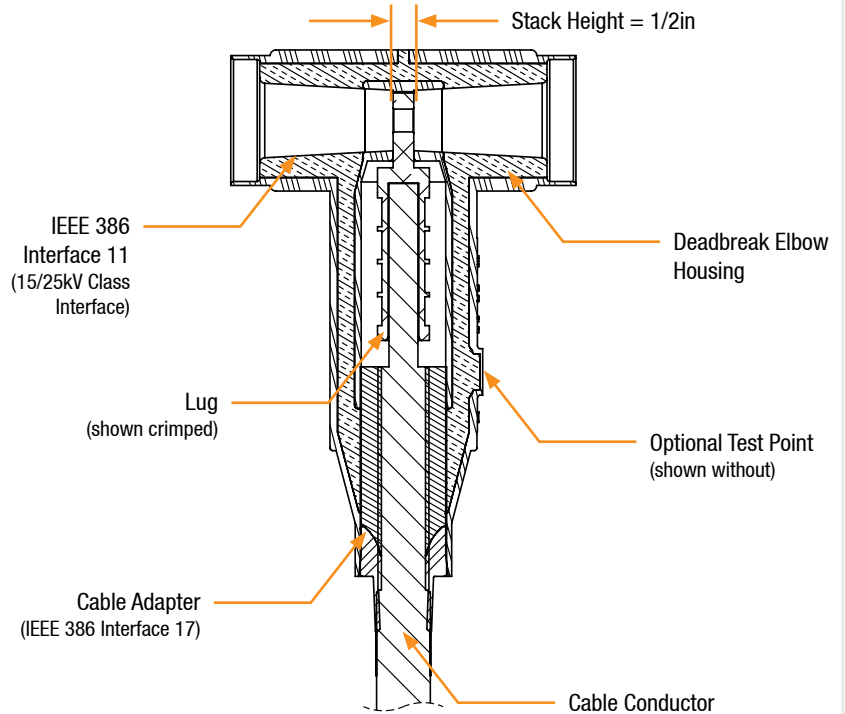
P625HIP

Aluminum Insulating Plug

P925HIP

Copper Insulating Plug

Detail View



Production Testing

IEEE requires a Partial Discharge test and choice between AC withstand and Impulse.

Richards runs 3/3 tests on ALL Medium Voltage products governed by IEEE 386. [®]

100% Routine Electrical Test:

- Partial Discharge
- AC Withstand
- Impulse Withstand

Richards Deadbreak Elbows are designed to allow for production testing at 200kV BIL. For more information see our 200kV BIL Product Data Sheets or contact the factory.

Product Ratings

Voltage Class, Phase-to-Phase	15kV • 25kV
Maximum Voltage Rating – (phase to ground)	15.2kV
Corona Voltage Level – (partial discharge extinction voltage)	22kV [®]
AC Withstand, 1 minute	42kV [®]
Impulse-Withstand Voltage – (BIL)	162kV BIL [®]

Continuous Current	
Aluminum	600A
Copper	900A

Short-Time Current	
Aluminum	40kA, 10c. and 10kA, 3s
Copper	

The 15/25kV Deadbreak Elbow is qualified to the following industry standards:

- IEEE Std 386: For Separable Insulated Connector Systems
- ANSI C119.4: For Electric Connectors
- IEEE Std 592: For Exposed Semiconducting Shields

[®] Exceeds IEEE 386 requirement.