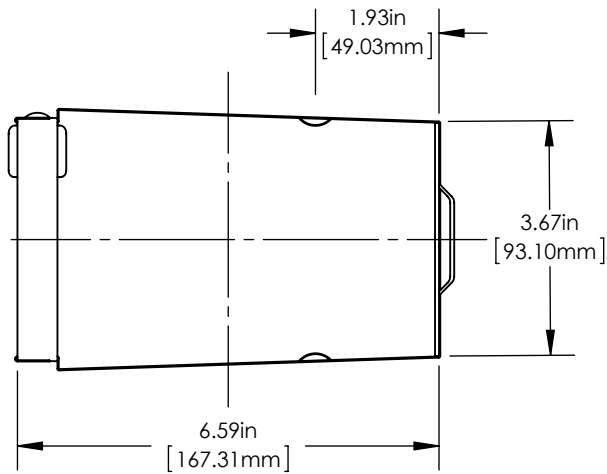
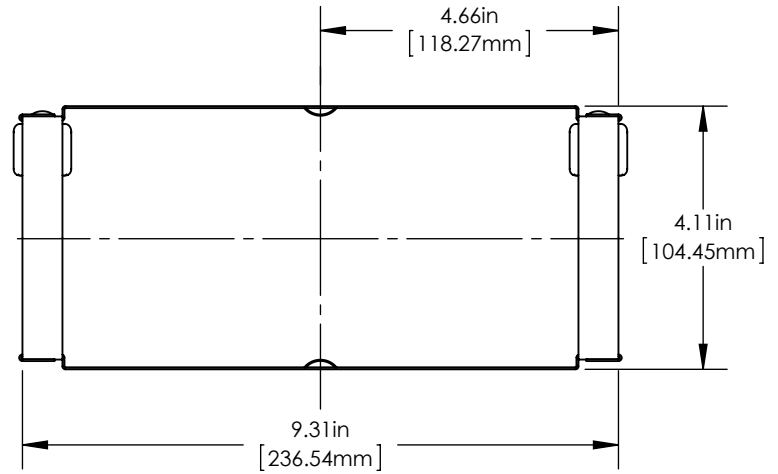


Product Specifications

Sleeve Restraints



P635JRE



P635JRI



Richards Sleeve Restraints guarantee proper installation of disconnectable joints and sleeves. The restraints offer protection against sleeve back-off, plus improved impulse and grounding performance.

Configuration	Kit
"I"	(1) "I" Restraint
"Y"	(1) "I" Restraint (1) "E" Restraint
"H"	(2) "I" Restraint
"U"	(2) "E" Restraint