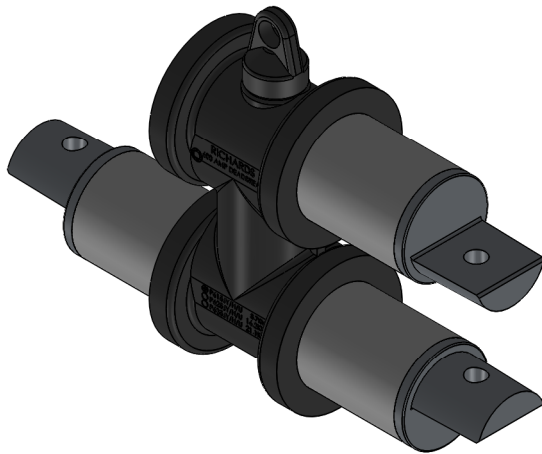
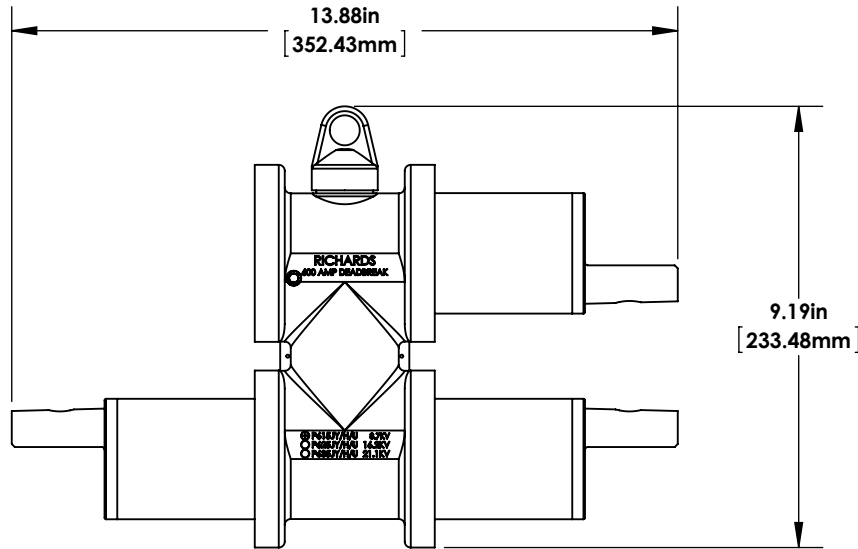


Product Specifications

35 kV Class Disconnectable Joint 'Y' Bus



Richards Disconnectable Joints provide a robust, versatile option for splicing underground medium voltage cables. They can be used for straight or multi-way splicing and can be disconnected for circuit isolation, grounding, expansion and more. Disconnectable Joints are molded from peroxide-cured EPDM and are fully shielded and submersible.

Richards

35 kV Class Disconnectable Joint 'Y' Bus (P635JY P935JY) is the center bus onto which prepared cables are bolted. The 'Y' Bus is used with Joint Sleeves and/or Joint Insulating Caps. Each 'Y' Bus features a capacitive test point.

Product Complies with IEEE Std. 386

Product Ratings

| | |
|---------------------------------|--|
| Maximum Voltage Rating (kV rms) | 21.1 kV L-G 36.6kV L-L |
| Impulse Withstand | 200 kV BIL* |
| AC Withstand | 50 kV |
| DC Withstand | 103 kV |
| Partial Discharge | 26 kV CEV |
| Momentary | 25 kA, 10 Cycles (Al) 40kA, 10 Cycles (Cu) 10kA, 3 Sec (Al/Cu) |
| Continuous Current | 600 Amp (Al) 900 Amp (Cu) |

*This product is 100% production tested above and beyond the industry requirement of 150kV BIL

Richards 35 kV Class Disconnectable Joint 'Y' Bus (P635JY P935JY) was designed and validated against the following industry standards:

- ANSI/IEEE Std. 386: For Separable Insulated Connector Systems
- ANSI C119.4: For Electric Connectors
- IEEE Std. 592: For Exposed Semiconducting Shields
- IEEE Std. 404: For Cable Joints