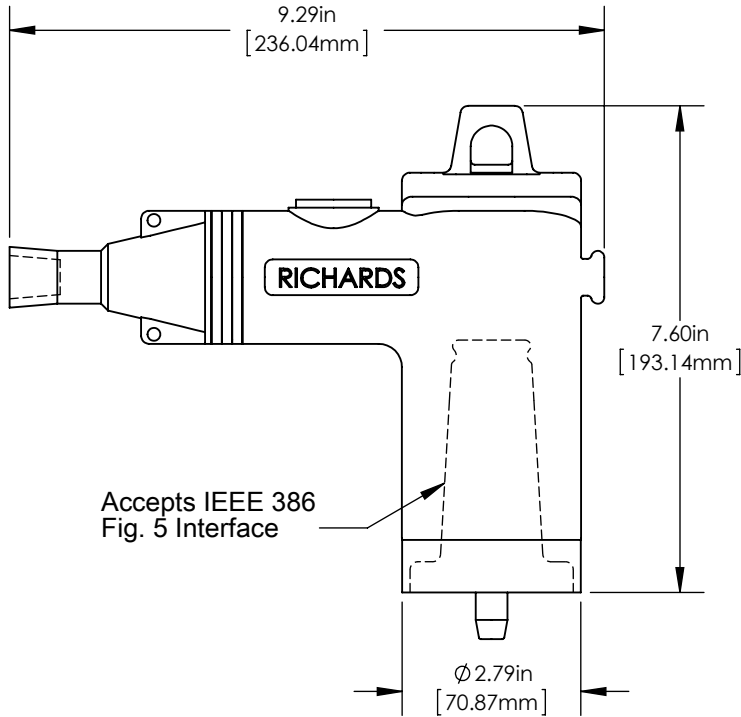


Product Specifications

15 kV 200A Loadbreak Elbow



Cable Insulation Diameter

Size	Min.	Max.
A	.575 in. 14.61 mm.	.740 in. 18.80 mm.
B	.635 in. 16.13 mm.	.905 in. 20.69mm.
C	.830 in. 21.08 mm.	1.060 in. 26.92 mm.
D	.930 in. 23.62mm.	1.220 in. 30.99mm.



Product Ratings

Operating Voltage	8.3 kV
Impulse Withstand	95 kV BIL
AC Withstand	34 kV
DC Withstand	53 kV
Partial Discharge	11 kV CEV
Momentary	3.5 kA, 3 sec. 10 kA, 10 cycles
Continuous Current	200 Amp

Richards 200A Loadbreak Connectors provide an easy way to connect or disconnect energized power cables from equipment at 15 kV.

The 200A elbow is fully shielded and enables loadmake or loadbreak operation using standard hotstick tools and safety equipment.

Richards 15 kV 200A Loadbreak Elbow (21LBN) was designed and validated against the following industry standards:

- ANSI/IEEE Std. 386: For Separable Insulated Connector Systems
- IEEE Std. 592: For Exposed Semiconducting Shields